

# SUMMIT<sup>®</sup>



## GAS GRILL

### Built-In LP Gas Grill Installation Guide

Tank Enclosure Installation - Pg 27

S-460<sup>™</sup>

S-660<sup>™</sup>

#43267



**YOU MUST READ THIS OWNER'S GUIDE BEFORE OPERATING YOUR GAS GRILL.**

**⚠ DANGER**

If you smell gas:

1. Shut off gas to the appliance.
2. Extinguish any open flames.
3. Open lid.
4. If odor continues, keep away from the appliance and immediately call your gas supplier or your fire department.

Leaking gas may cause a fire or explosion which can cause serious bodily injury or death, or damage to property.

**⚠ WARNING:**

1. Do not store or use gasoline or other flammable liquids or vapors in the vicinity of this or any other appliance.
2. An LP cylinder not connected for use shall not be stored in the vicinity of this or any other appliance.

**⚠ WARNING:** Follow all leak-check procedures carefully in this manual prior to barbecue operation. Do this even if the barbecue was dealer-assembled.

**NOTICE TO INSTALLER:** These instructions must be left with the owner and the owner should keep them for future use.

**THIS GAS APPLIANCE IS DESIGNED FOR OUTDOOR USE ONLY.**

**⚠ WARNING:** Do not try to light this appliance without reading the "Lighting Instructions" section of this manual.



43267 US 06/11/09  
LP  
ENGLISH

**⚠ DANGER**

Failure to follow the Dangers, Warnings and Cautions contained in this Owner's Manual may result in serious bodily injury or death, or in a fire or an explosion causing damage to property.

**⚠ WARNINGS**

- ⚠ Do not store a spare or disconnected liquid propane cylinder under or near the barbecue.
- ⚠ Improper assembly may be dangerous. Please carefully follow the assembly instructions in this manual.
- ⚠ Do not operate the Weber® gas barbecue if there is a gas leak present.
- ⚠ Do not use a flame to check for gas leaks.
- ⚠ Combustible materials should never be within 24 (60.96cm) inches of the top, bottom, back or sides of your Weber® gas barbecue.
- ⚠ Do not put a barbecue cover or anything flammable on, or in the storage area under the barbecue.
- ⚠ Your Weber® gas barbecue should never be used by children. Accessible parts of the barbecue may be very hot. Keep young children away while it is in use.
- ⚠ You should exercise reasonable care when operating your Weber® gas barbecue. It will be hot during cooking or cleaning and should never be left unattended, or moved while in operation.
- ⚠ Liquid propane gas is not natural gas. The conversion or attempted use of natural gas in a liquid propane unit or liquid propane gas in a natural gas unit is dangerous and will void your warranty.
- ⚠ Do not attempt to disconnect any gas fitting while your barbecue is in operation.

- ⚠ Keep any electrical supply cord and the fuel supply hose away from any heated surfaces.
- ⚠ Do not use this Weber® tank enclosure kit unless all parts are in place. The unit must be properly assembled according to the instructions outlined in the "Assembly Instruction" section of the Owner's Guide.
- ⚠ Proposition 65 Warning: Handling the brass material on this product exposes you to lead, a chemical known to the state of California to cause cancer, birth defects or other reproductive harm.  
(Wash hands after handling this product.)

**LIQUID PROPANE GAS UNITS ONLY:**

- ⚠ Use the regulator that is supplied with your Weber® Tank Enclosure Kit.
- ⚠ Do not attempt to disconnect the gas regulator or any gas fitting while your barbecue is in operation.
- ⚠ A dented or rusty liquid propane cylinder may be hazardous and should be checked by your liquid propane supplier. Do not use a liquid propane cylinder with a damaged valve.
- ⚠ Although your liquid propane cylinder may appear to be empty, gas may still be present, and the cylinder should be transported and stored accordingly.
- ⚠ If you see, smell or hear the hiss of escaping gas from the liquid propane cylinder:
  1. Move away from liquid propane cylinder.
  2. Do not attempt to correct the problem yourself.
  3. Call your fire department.

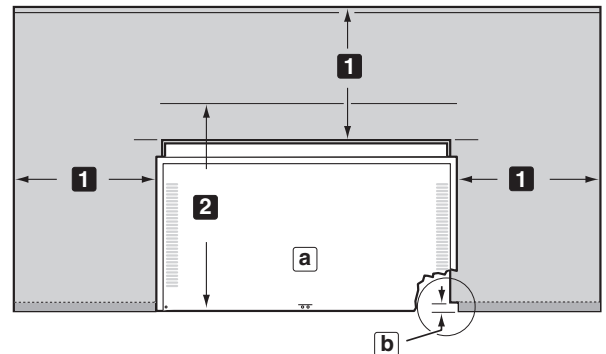
**BUILT-IN CUTOUT DIMENSIONS****LOCATING YOUR GRILL**

When determining a suitable location for your Summit® gas grill installation, give attention to concerns such as exposure to wind, proximity to traffic paths, and keeping any gas supply lines as short as possible. Never locate the Summit® gas grill in a garage, breezeway, shed, under an unprotected overhang, or other enclosed area. Locate the grill and structure so there is enough room to safely evacuate the area in case of a fire.

**CLEARANCE FROM SURFACES OR STRUCTURES**

- ⚠ **WARNING:** Clearance from any surface or structure is 24 inches (609.6 mm) from the back and sides of the grill. Refer to "Typical Gas Supply Installation" before starting installation.
- ⚠ **WARNING:** The structure, "island", countertops, and adjacent work areas for the built-in grill installation must be built from noncombustible materials only.

*NOTE: If you have questions on what materials are considered noncombustible, contact your local building materials supplier or fire department.*

**CLEARANCES**

<b>1</b>	24 inches (610 mm) Any Surface
<b>2</b>	27 inches (685.8 mm) min. for lid clearance
<b>a</b>	Grill Frame
<b>b</b>	Note: For a countertop treatment: Recommended 3/4" (19.1 mm) overhang. Notch front edge for frame to fully slide in.

**“ISLAND” STRUCTURE CONFIGURATION OPTIONS**

There are many available options for locating the major components of your Island structure. Your major components are:

- 1) The Built in Grill
- 2) Gas supply enclosure
- 3) Optional Side burner accessory

The 3 common options (A, B, C) are illustrated in the “Island Structure Configuration Options” table.

**NOTE: GAS LINE LIMITATION**

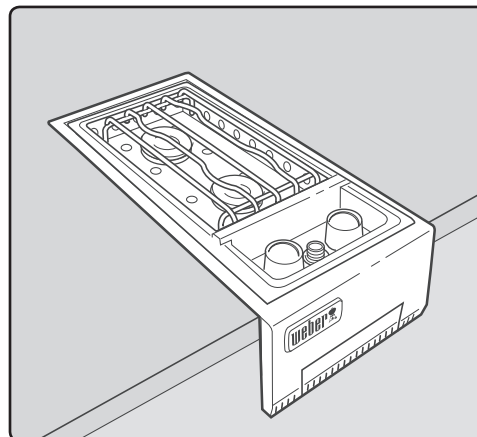
The gas supply hose from grill manifold to gas supply bulkhead must not exceed 58" (147cm). The 3/8 (9.52mm) Side Burner accessory hose (not included) must not exceed 58 (147cm).

**“ISLAND” STRUCTURE CONFIGURATION OPTIONS**

1	Summit® 4-burner/6-burner grill
2	Gas supply
3	Optional sideburner accessory

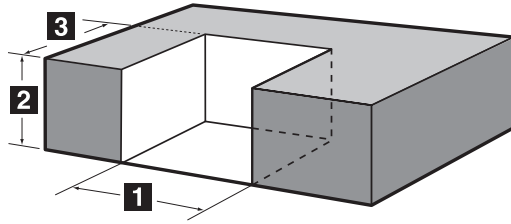
**NOTE: IF YOU HAVE PURCHASED A SIDEBURNER:**

If you have purchased a Side Burner accessory with your Summit® gas grill, Weber® recommends that you read the **SUMMIT® BUILT-IN SIDEBURNER INSTALLATION/ OWNER'S GUIDE** before designing your “island” structure.



**BUILT-IN STRUCTURE CUTOUT DIMENSIONS**  
**ALL DIMENSIONS ARE TO FINISHED SURFACES.**

**⚠ WARNING: All countertop finished surfaces must be constructed of a noncombustible material.**



<b>BUILT-IN CUTOUT DIMENSIONS</b>			
	<b>S-460™</b>	<b>S-660™</b>	<b>TOLERANCES</b>
1	30 1/4" (768.35 mm)	38 1/4" (971.55 mm)	+ 1/4" - 1/4" (6.35mm)
2	34 3/8" (873.13 mm)	34 3/8" (873.13 mm)	+ 1/4" - 1/4" (6.35mm)
3	23" (584.2 mm)	23" (584.2 mm)	+ 1/4" - 1/4" (6.35mm)

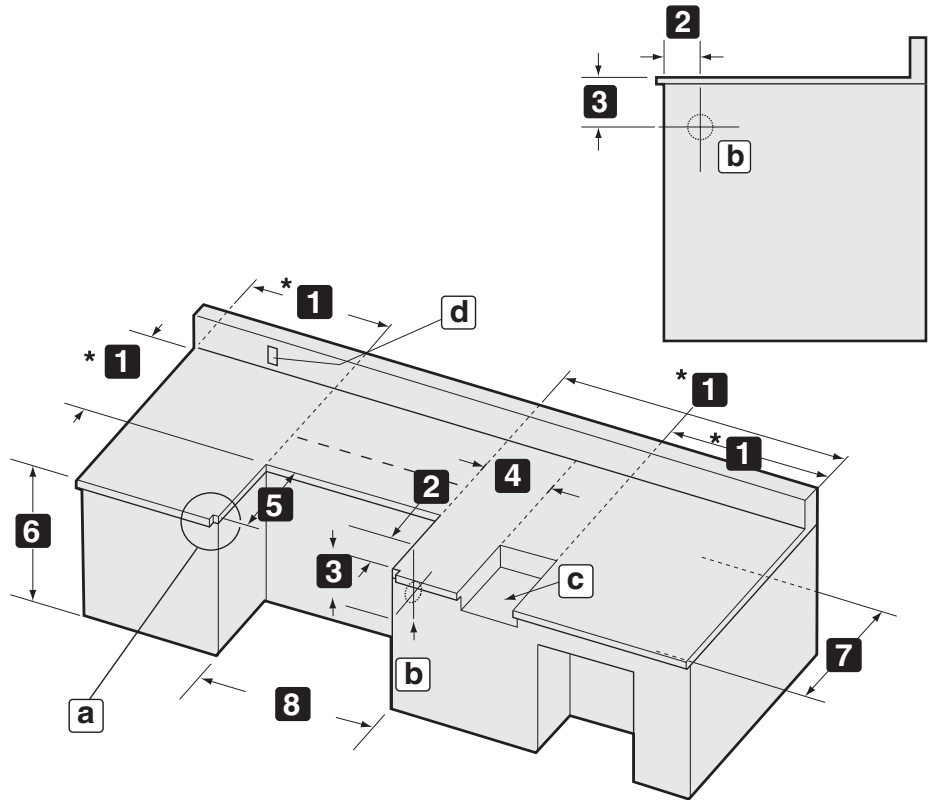
**GENERAL CONSTRUCTION DETAILS**

Summit® Built-In unit and all other accessory units should be on site before construction begins.

All dimensions have a tolerance of plus or minus (+/-) 1/4 inch (6.35 mm).

The grill frame rests directly on the Island Structure top finished surface. Make sure this surface is level. Do not support the grill from the bottom.

If the supporting structure is going to have an electrical outlet for a rotisserie, it should be on the left side of the structure.



<b>BUILT-IN CUTOUT DIMENSIONS</b>			
		<b>S-460™</b>	<b>S-660™</b>
<b>DIMENSIONS</b>	1	24 minimum* (610 mm)	24 minimum* (610 mm)
	2	4 3/4 (120.65 mm)	4 3/4 (120.65 mm)
	3	6 1/4 (158.75 mm)	6 1/4 (158.75 mm)
	4	10 1/2 (266.7 mm) minimum	10 1/2 (266.7 mm) minimum
	5	23 (584.2 mm)	23 (584.2 mm)
	6	34 3/8 (873.13 mm)	34 3/8 (873.13 mm)
	7	27 (685.8 mm) minimum distance from front edge of the cutout for open lid clearance	27 (685.8 mm) minimum distance from front edge of the cutout for open lid clearance
	8	30 1/4 (768.35 mm) Built-In Frame	38 1/4 (971.55 mm) Built-In Frame
	a	Note: For a countertop treatment: Recommended 3/4 (19.1 mm) overhang. Notch front edge for frame to fully slide in.	
	b	Gas Inlet	
	c	Side Burner Opening	
	d	Access for electric on left hand side	
* Clearance from any surface or structure is at least 24 (609.6mm) from the back and sides of the grill or side burner.			