



Quick Disconnect Hose & Regulator Replacement

CAUTION: BEFORE STARTING, TURN THE GAS OFF AT THE LP TANK AND CAREFULLY READ THESE INSTRUCTIONS FOR REPLACING THE “POL” HOSE AND REGULATOR WITH THE “QUICK DISCONNECT” HOSE AND REGULATOR.

If you have a tank that looks like Figure 1 below, you will need to either purchase a LP tank adapter, or purchase a quick disconnect LP tank that looks like Figure 2 below. To purchase the LP tank adapter, write to Weber-Stephen Products Co., Customer Service Center, 250 South Hicks Road, Palatine, IL 60067-6241, or call (800) 446-1071.

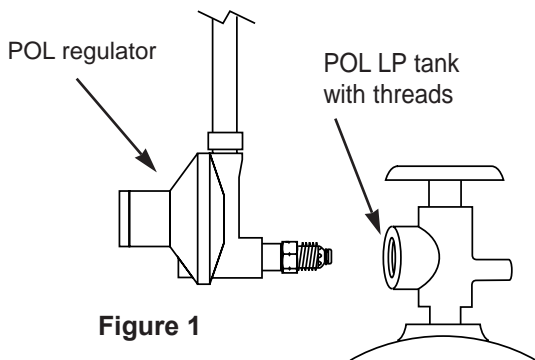


Figure 1

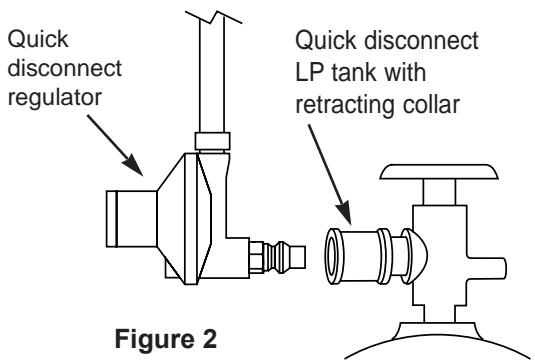


Figure 2

Converting your barbecue with the upgraded hose and regulator assembly provides for additional new safety features. They are:

1. **The connection of the barbecue to the LP tank can be made without tools.**
2. **The new connection will not permit the flow of gas until a positive gas connection is made.**
3. **If an accidental fire occurs at the LP tank connection, the flow of gas is stopped by a temperature activated shutoff.**
4. **If the LP supply hose becomes damaged, cut, punctured, or accidentally fire damaged, the barbecue connection is equipped with an excess flow control that will limit the flow of gas if leakage or a fire occurs.**

Step 1

Disconnect hose and regulator assembly from LP tank

Close tank valve (turn clockwise). Use a 7/8 inch or an adjustable wrench to loosen the POL nut. Unscrew by hand. Figure 3.

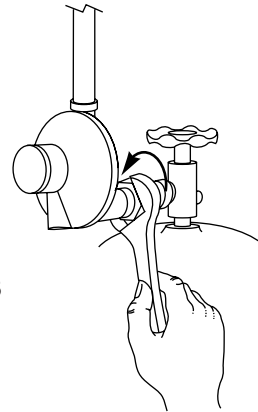


Figure 3

Step 2

Remove burner control knobs and control panel

Remove control panel: take off the burner control knobs. Figure 4 (a). Put your fingers under the edge of the control panel at the control panel push-in buttons and pull toward you. Lift off the control panel. Figure 4 (b).

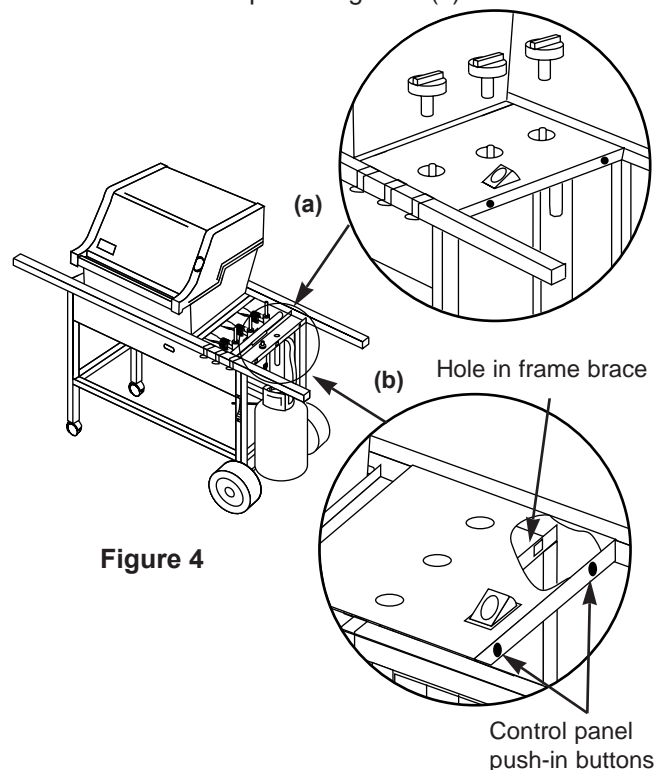


Figure 4

Control panel push-in buttons

Step 3

Remove hose and regulator assembly from manifold

Use a wrench to remove the hose and regulator assembly from the brass elbow on the manifold (turn counterclockwise). Figure 5.

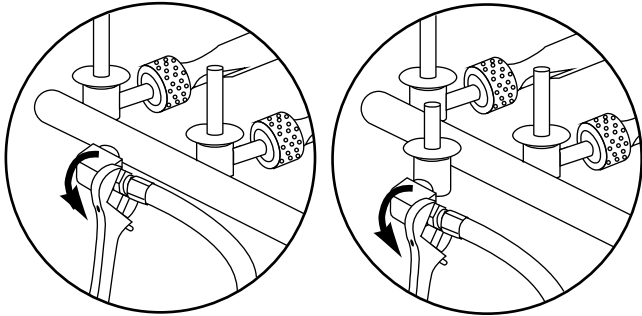


Figure 5 Removal of hose and regulator, if your barbecue has the FlameCheck Safety System

Step 4

Attach new “quick disconnect” hose and regulator assembly to manifold

Apply pipe dope (sealant) to the threads of the end that goes into the brass elbow. Figure 6 (a).

CAUTION: Avoid getting any pipe dope (sealant) into the end of the fitting.

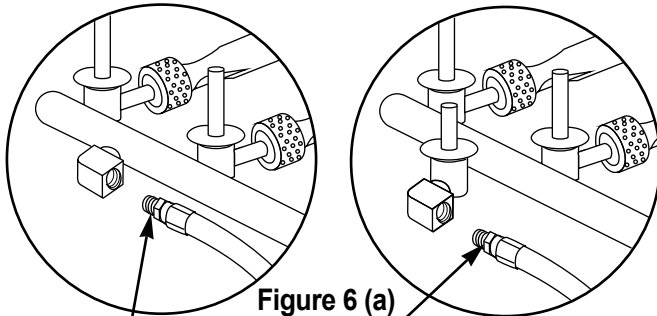


Figure 6 (a)

APPLY PIPE DOPE (SEALANT) TO THREADS ONLY

Caution: Avoid getting any pipe dope (sealant) into the end of the fitting

FlameCheck Safety System

Screw the hose and regulator assembly into the brass elbow by turning clockwise. Tighten wrench tight. Figure 6 (b).

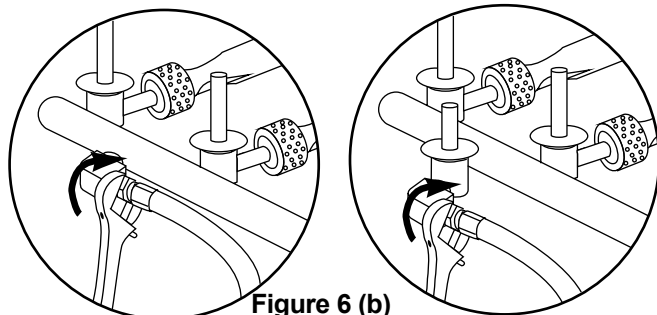


Figure 6 (b)

FlameCheck Safety System

Step 5

Connect the “quick disconnect” hose and regulator assembly to LP tank

Route the hose so it will not interfere with the scale indicator rod.

The hose and regulator are connected in the following manner:

Slide back the collar of the quick disconnect on the tank valve. Figure 7 (a). Push the male fitting of the regulator into the quick disconnect, and maintain pressure. Slide the collar closed. Figure 7 (b) shows the quick disconnect engaged and various components of the tank and regulator. Regulator vent hole should be at 3, 6, or 9 o'clock. It should not be pointed up. Figure 7 (c).

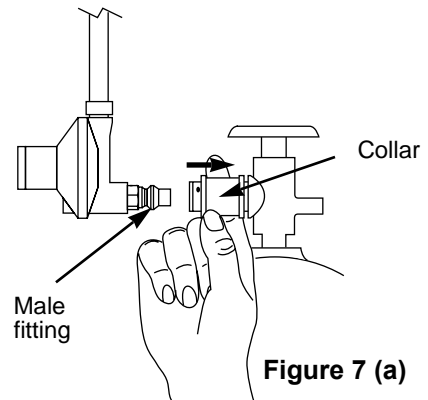


Figure 7 (a)

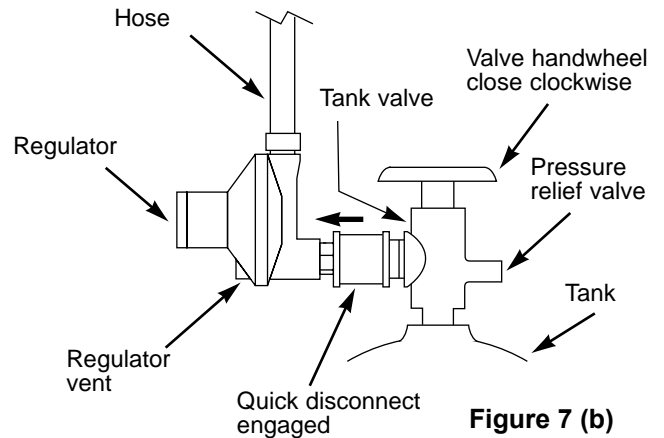


Figure 7 (b)

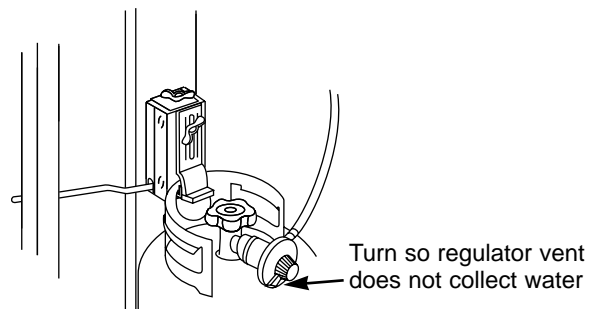


Figure 7 (c)

Step 6

Check for gas leaks

DANGER

Do not use an open flame to check for gas leaks. Be sure there are no sparks or open flames in the area while you check for leaks. This will result in a fire or explosion which can cause serious bodily injury or death and damage to property.

You will need: a soap and water solution and a rag or brush to apply it.

Note - Since some leak test solutions, including soap and water, may be slightly corrosive, all connections should be rinsed with water after checking for leaks.

To perform leak checks: open tank valve by turning the tank valve handwheel counterclockwise. Figure 8.

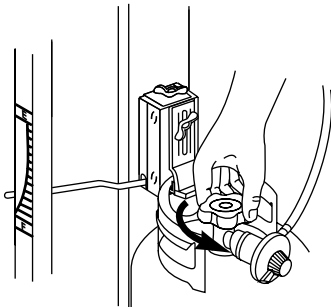


Figure 7

Check for leaks by wetting the connections with the soap and water solution and watching for bubbles. If bubbles form or if a bubble grows there is a leak.

WARNING: Do not ignite burners while leak checking.

Check:

a) Hose to manifold connection. Figure 9 (a).

b) Regulator to tank connection. Figure 9 (b).

WARNING: If there is a leak at connection (a), retighten the fitting with a wrench and recheck for leaks with soap and water solution.

If a leak persists after retightening the fitting, turn OFF the gas. DO NOT OPERATE THE BARBECUE. Contact Weber-Stephen Customer Service.

c) Hose to regulator connection. Figure 9 (c).

WARNING: If there is a leak at connections (b) or (c), turn OFF the gas. DO NOT OPERATE THE BARBECUE. Contact Weber-Stephen Customer Service.

When leak checks are complete, turn gas supply OFF at the source and rinse connections with water.

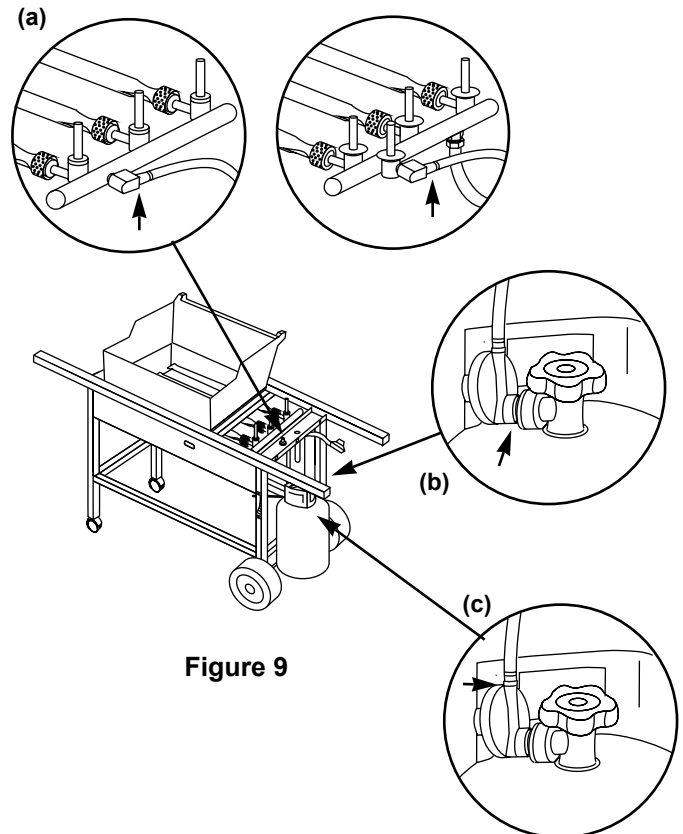


Figure 9

Step 7

Reinstall control panel and burner knobs

Set the control panel in place over both frame braces. (Hold the Crossover Ignition button up while setting the control panel in place.) Place your thumbs over the control panel push-in buttons and push them into the frame brace until they snap into place. Figure 10 (a). Push on the burner control knobs. Figure 10 (b).

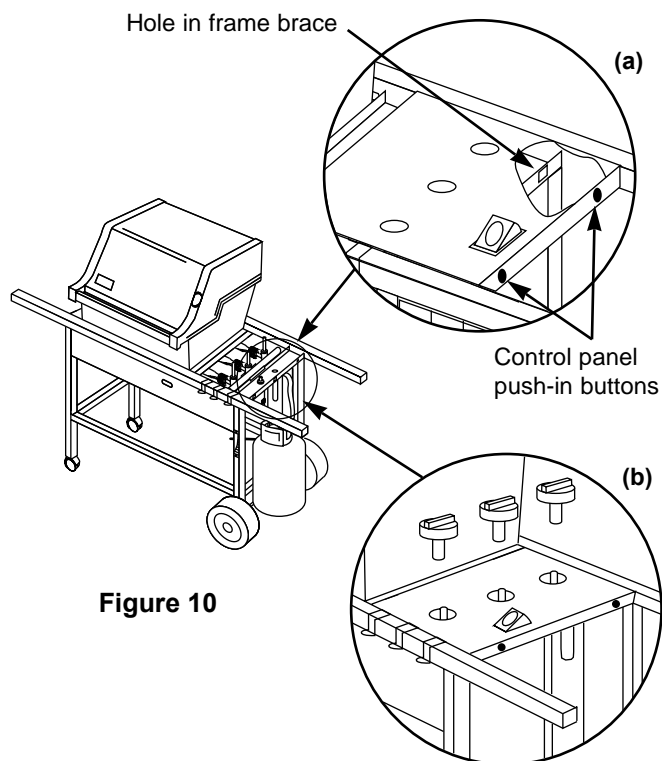


Figure 10

Step 8

Read and follow the Operating Instructions in your Owner's Manual

In addition to the Lighting and Manual Lighting Sections in the Operating Instructions, the following Warning and Danger should be heeded after making sure the burner control knobs are turned OFF.

WARNING: The burner control knobs must be in the OFF position before turning on the LP tank valve. If they are not in the OFF position, when you turn on the LP tank valve, the excess flow control will activate, limiting the flow of gas from the LP tank. If this should occur, turn OFF the LP tank valve and burner control knobs and start over.

DANGER

When the excess flow control is activated, a small amount of gas is still flowing to the burners. After turning OFF the tank and burner control knobs, wait at least 5 minutes for the gas to clear before attempting to light the barbecue. Failure to do so may result in an explosive flame-up which can cause serious bodily injury or death.

⚠ Proposition 65 Warning: Handling the brass material on this product exposes you to lead, a chemical known to the state of California to cause cancer, birth defects or other reproductive harm. (Wash hands after handling this product.)