

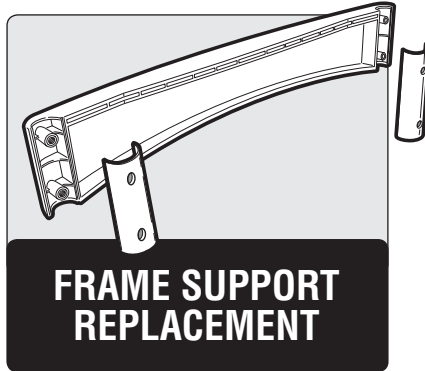


PERFORMER[®] FRAME SUPPORT REPLACEMENT INSTRUCTIONS

⚠ WARNING: GENUINE WEBER-STEPHEN REPLACEMENT PARTS MUST BE USED FOR ANY REPAIR OR REPLACEMENT. YOUR ACTIONS, IF YOU FAIL TO FOLLOW THIS PRODUCT WARNING, MAY CAUSE A STRUCTURAL FAILURE, OR FIRE RESULTING IN SERIOUS PERSONAL INJURY OR DAMAGE TO PROPERTY.

(WILL VOID ALL WARRANTY PROTECTION)

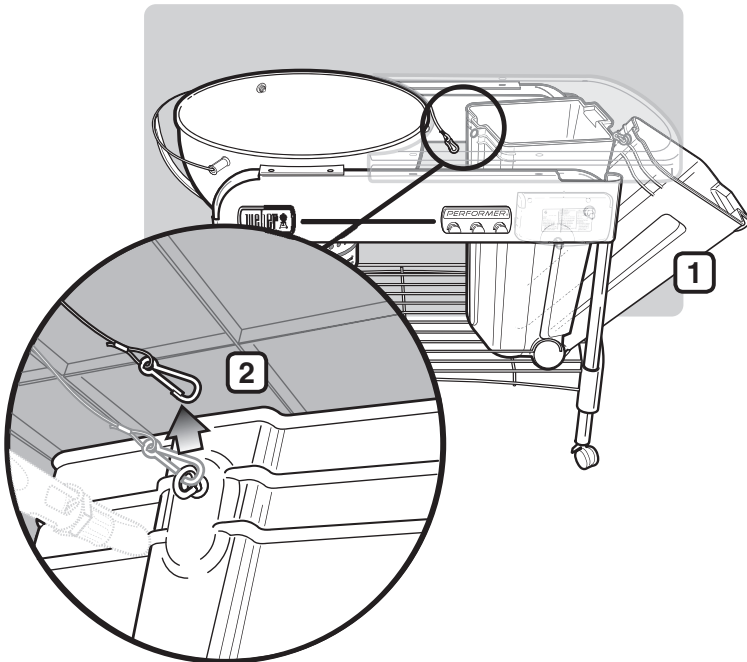
⚠ IMPORTANT NOTE: REMOVE LID AND GRATES BEFORE PERFORMING ANY WORK. MAKE SURE THE BARBECUE IS COLD AND ALL CHARCOAL RESIDUE IS REMOVED FROM THE KETTLE BOWL AREA.



• IF YOU ARE REPLACING THE SIDE FRAME SUPPORT ON THE CASTER SIDE OF YOUR GRILL, YOU MUST REMOVE THE CHARBIN[™] CONTAINER FIRST.

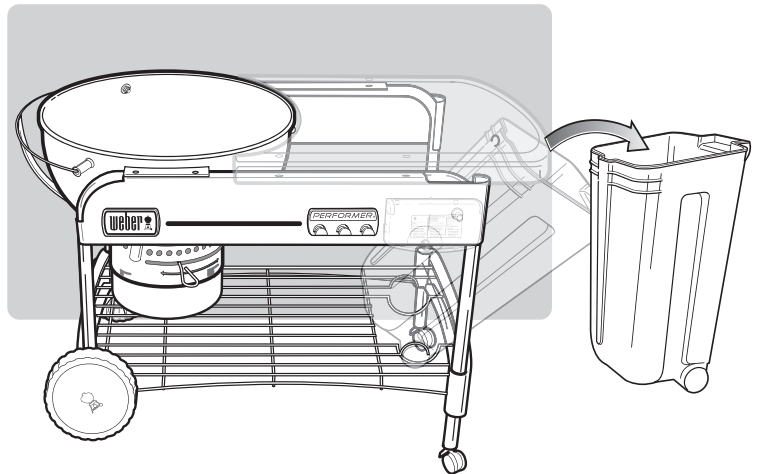
1 DISCONNECT RETENTION CHAIN

- A) Tip the CharBin[™] container out (1).
- B) Reach under the table and unhook the retention chain from the CharBin[™] (2).



2 CHARBIN[™] REMOVAL

- A) Tilt and pull CharBin[™] out and away from grill.

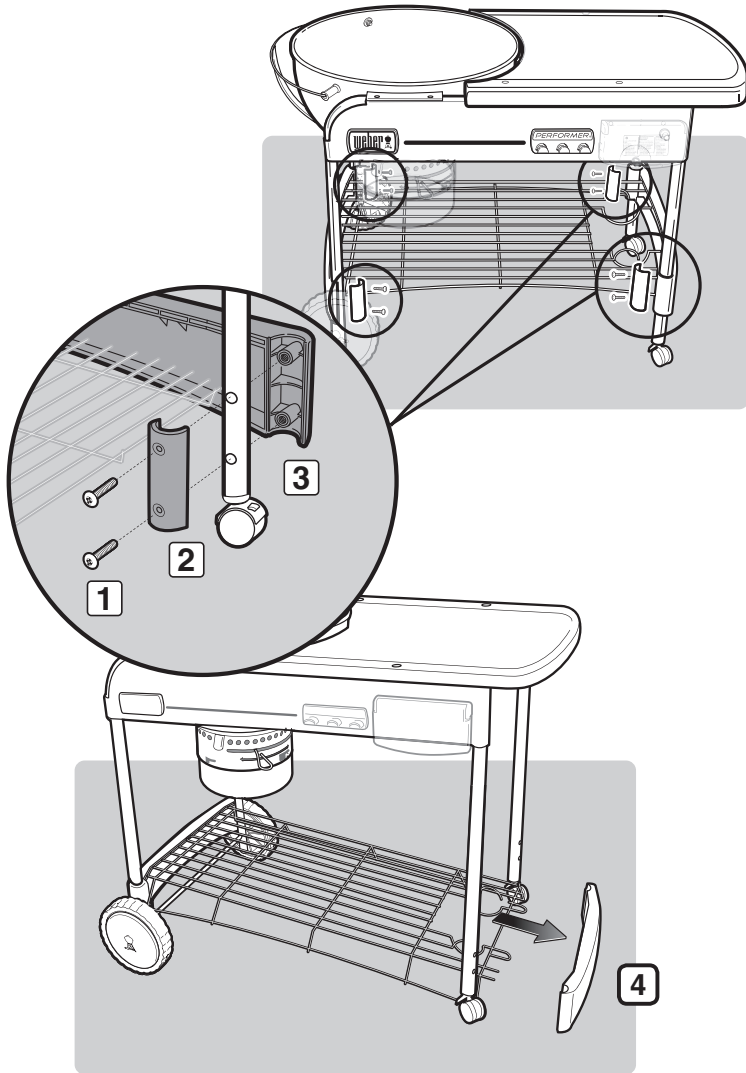


NOTE: The grills illustrated may have slight differences than the model purchased.


3 FRAME SUPPORT BRACKET REMOVAL

TOOLS NEEDED:  - PHILLIPS

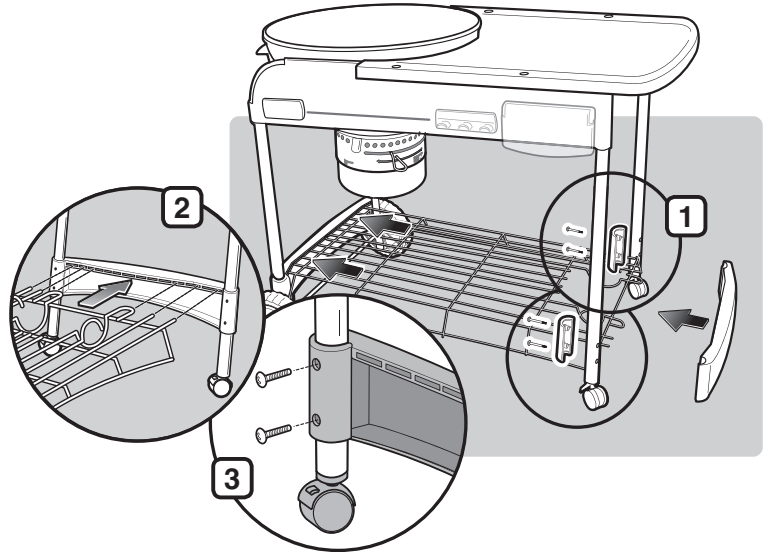
- A) Remove the screws from the frame support brackets (1).
- B) Remove the frame support brackets from the frame support (2).
- C) Remove the frame support from the grill assembly (3).
Allow the bottom rack to rest on the ground (4).



4 FRAME SUPPORT REINSTALLATION

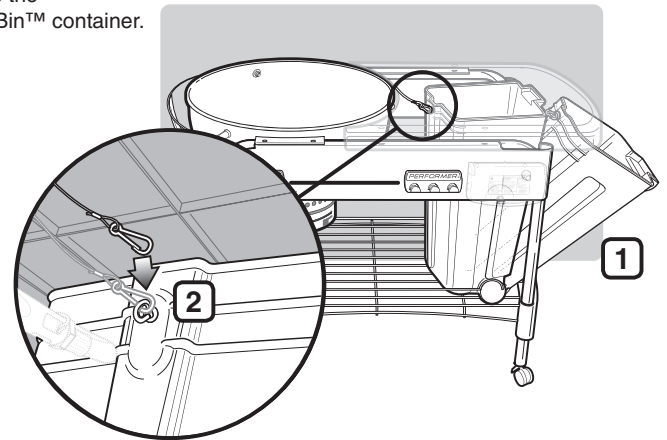
TOOLS NEEDED:  - PHILLIPS

- A) Reinstall frame support and brackets (1) making sure that the bottom rack is fully engaged into support notches (2).
- B) Secure with screws (3).



5 CHARBIN™ REINSTALLATION

- A) Replace CharBin™ container (1).
- B) Reach under the table and re-hook the retention chain to the CharBin™ (2).
- C) Close the CharBin™ container.



⚠ WARNING: Make sure that all parts are assembled and hardware is fully tightened before operating the charcoal grill. Your actions, if you fail to follow this Product Warning, may cause structural failure or fire, resulting in serious personal injury or damage to property.



WEBER-STEPHEN PRODUCTS LLC
Customer Service Center
1890 Roselle Road, Suite 308
Schaumburg, IL 60195

1-800-446-1071 (USA ONLY)
www.weber.com®

Contact the Customer Service Representative in your area using the contact information on our website.